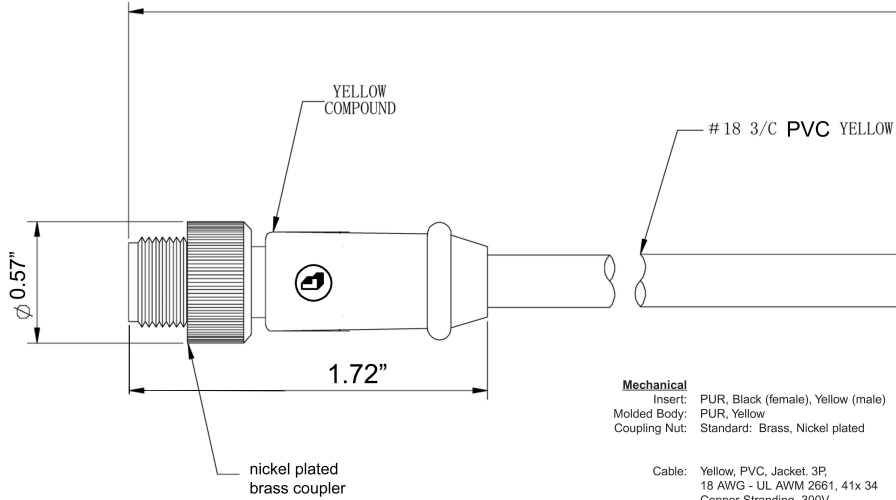


MICRO (M12) Single-Ended Cordset

18 AWG, AWM 2661, Yellow PVC Cable - EURO DC Color Code
 Oil-resistant, PVC Jacket IP68 and NEMA 6P Rated

Part Number: RST3-S4395/2.78F

26.733"



Mechanical
 Insert: PUR, Black (female), Yellow (male)
 Molded Body: PUR, Yellow
 Coupling Nut: Standard: Brass, Nickel plated

Cable: Yellow, PVC, Jacket, 3P,
 18 AWG - UL AWM 2661, 41x 34
 Copper Stranding, 300V

Outside Diameter:
 3P - .290"

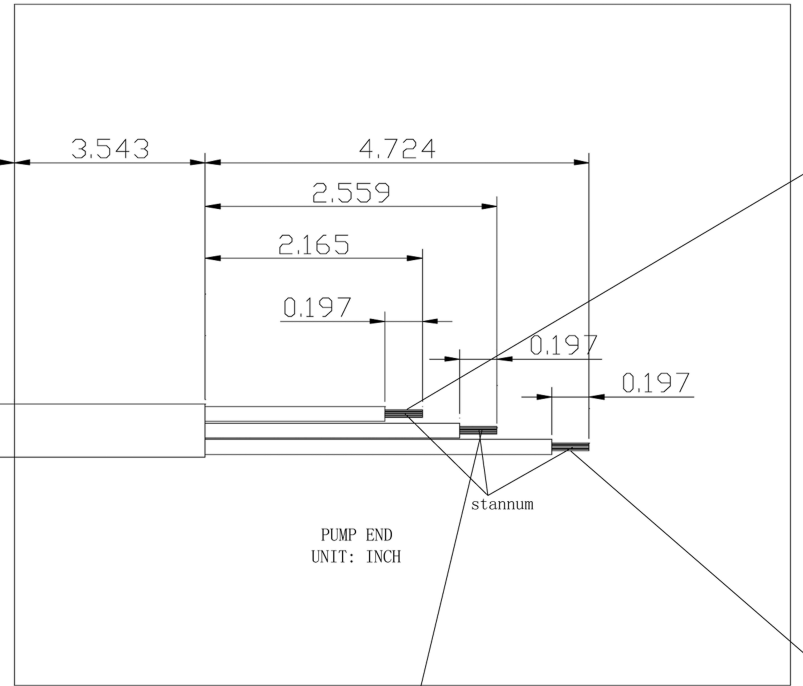
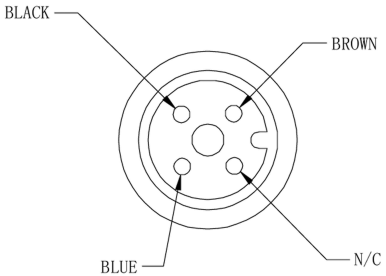
Electrical
 Voltage Rating: 250V
 Amperage: 3P - 4A

Environmental
 Protection: IEC, IP68, NEMA 6P(Fully Locked
 Position ONLY!)
 Ambient Operating Temp: -40°C to 90°C

APPROVALS	
COMPANY:	Lumberg, Inc.
NAME:	
SIGNATURE:	
DATE:	
PRELIMINARY PENDING APPROVALS	

APPROVALS	
COMPANY:	Safety-Kleen
NAME:	
SIGNATURE:	
DATE:	
PRELIMINARY PENDING APPROVALS	

Male Connector - Face View



Blue

Brown

black as Ground